

LAVA 2G

Outdoor Flame Heater

New Model 2014

66,000 BTU

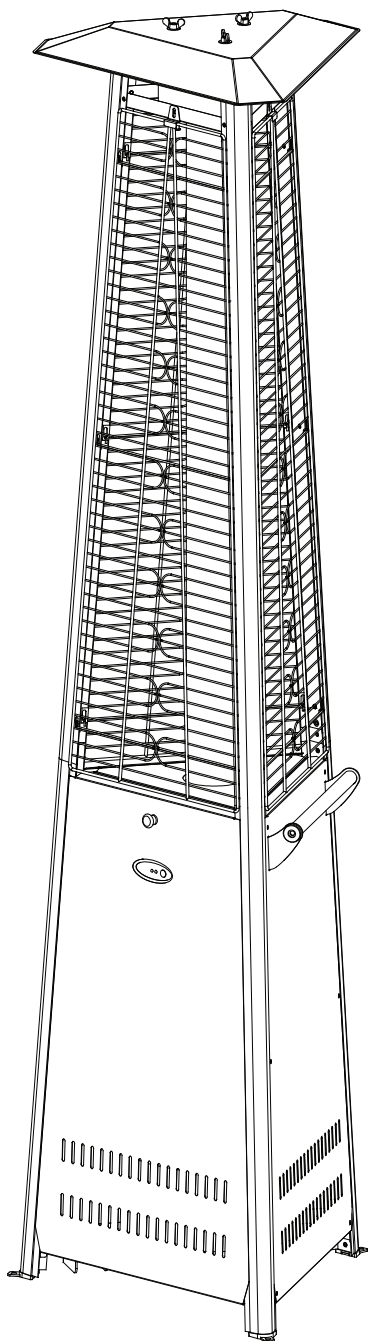
Instruction Manual



www.lavaheat.com

Owner's Manual

LAVA 2G



DANGER

If you smell gas:

1. Shut off gas to the appliance.
2. Extinguish any open flame.
3. If odor continues, keep away from the appliance and immediately call you gas supplier or fire department.

WARNING

WARNING indicates an imminently hazardous situation which, if not avoided, will result in death or serious injury.

WARNING

Do not store or use gasoline or other flammable vapors and liquids in the vicinity of this or any other appliance. An LP-cylinder not connected for use shall not be stored in the vicinity of this or any other appliance.

WARNING: For Outdoor Use Only

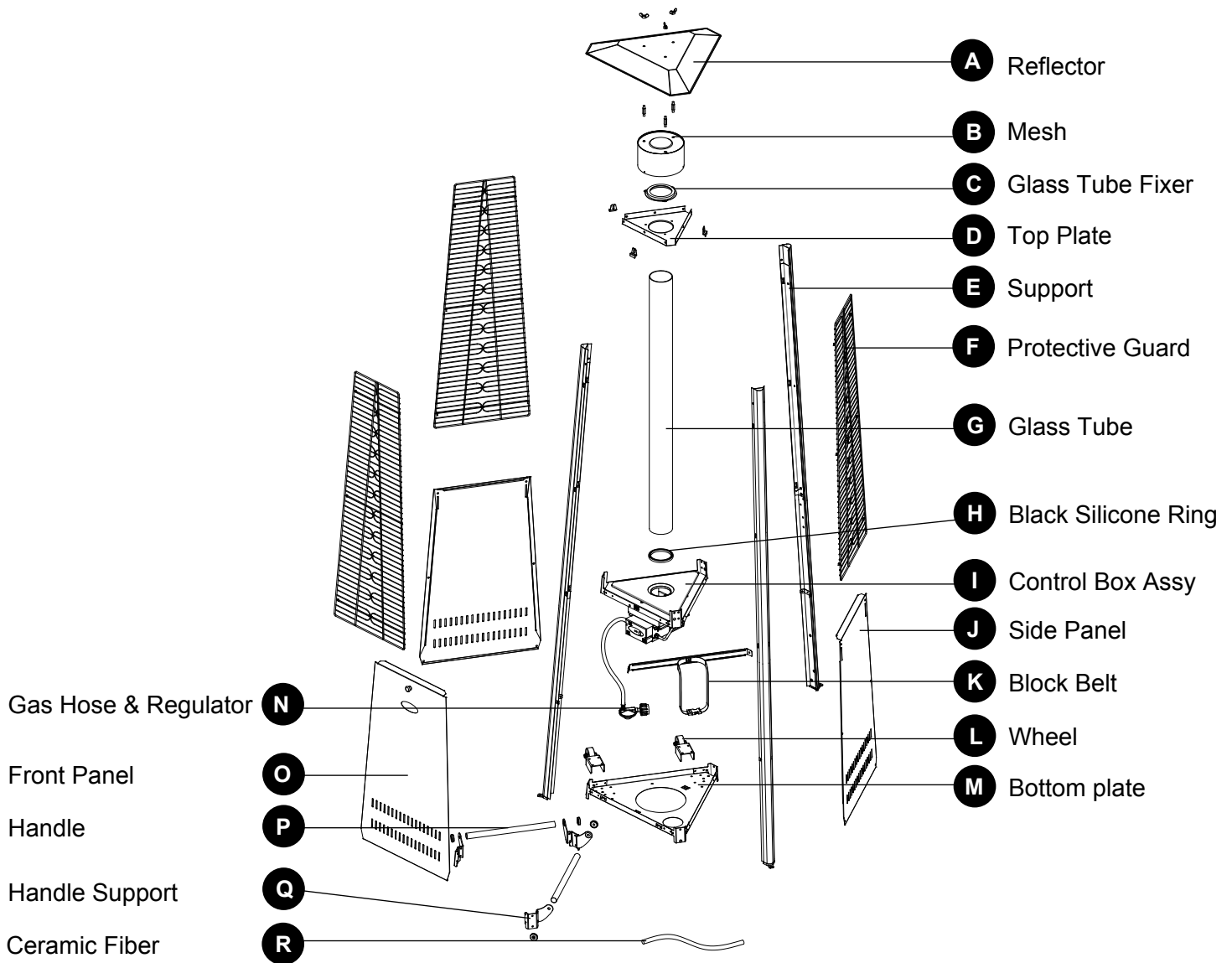
WARNING

Improper installation, adjustment, alteration, service or maintenance can cause property damage, injury or death. Read the installation, operation and maintenance instructions thoroughly before installing or servicing this equipment.



- ANS Z83.26-2007/CSA 2.37-2007 Gas-Fired Outdoor Infrared Patio Heaters
- ANS Z83.26a-2008/CSA 2.37a-2008 Gas-Fired Outdoor Infrared Patio Heaters

PACKAGE CONTENTS

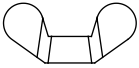


PART	DESCRIPTION	QUANTITY
A	Reflector	1
B	Mesh	1
C	Glass Tube Fixer	1
D	Top Plate	1
E	Support	1
F	Protective Guard	3
G	Glass Tube	1
H	Black Silicone Ring	1
I	Control Box Assy	1
J	Side Panel	1
K	Block Belt	1
L	Wheel	2

PART	DESCRIPTION	QUANTITY
M	Bottom plate	1
N	Gas Hose & Regulator	1
O	Front Panel	2
P	Handle	2
Q	Handle Support	4
R	Ceramic Fiber	1

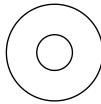
HARDWARE CONTENTS (shown actual size)

AA



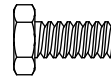
Wing nut
Qty. 3

BB



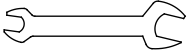
Small flat
washer $\Phi 8$
Qty. 6

CC



Bolt M6 X 10
Qty. 8

DD



Wrench
Qty. 1

SAFETY INFORMATION

Please read and understand this entire manual before attempting to assemble, operate or install the product.

This manual contains important information about the assembly, operation and maintenance of this patio heater. General safety information is presented in these first few pages and is also located throughout the manual. Keep this manual for future reference and to educate new users of this product. This manual should be read in conjunction with the labeling on the product. Safety precautions are essential when any mechanical or propane fueled equipment is involved. These precautions are necessary when using, storing, and servicing. Using this equipment with the respect and caution demanded will reduce the possibilities of personal injury or property damage. The following symbols shown below are used extensively throughout this manual. Always heed these precautions, as they are essential when using any mechanical or fueled equipment.

DANGER

DANGER indicates an imminently hazardous situation which, if not avoided, will result in death or serious injury.

DANGER

Failure to comply with the precautions and instructions provided with this heater can result in death, serious bodily injury and property loss or damage from hazards of fire, explosion, burn, asphyxiation, and/or carbon monoxide poisoning. Only persons who can understand and follow the instructions should use or service this heater.

CAUTION

An appliance may be installed with shelter no more inclusive than:

- (a) With walls on all sides, but with no overhead cover.
- (b) Within a partial enclosure which includes an overhead cover and no more than two side walls. These side walls may be parallel, as in a breezeway, or at right angles to each other.
- (c) Within partial enclosure which includes an overhead cover and three side walls, as long as 30 percent or more of the horizontal periphery of the enclosure is permanently open.

SAFETY INFORMATION

DANGER

- EXPLOSION - FIRE HAZARD
- Keep solid combustibles, such as building materials, paper or cardboard, a safe distance away from the heater as recommended by the instructions.
- Provide adequate clearances around air openings into the combustion chamber.
- Never use the heater in spaces which do or may contain volatile or airborne combustibles, or products such as gasoline, solvents, paint thinner, dust particles or unknown chemicals.
- During operation, this product can be a source of ignition. Keep heater area clear and free from combustible materials, gasoline, paint thinner, cleaning solvents and other flammable vapors and liquids. Do not use heater in areas with high dust content. Minimum heater clearances from combustible materials: three (3) feet from the sides & two (2) feet from the top.

DANGER

- EXPLOSION - FIRE HAZARD
- Never store propane near high heat, open flames, pilot lights, direct sunlight, other ignition sources or where temperatures exceed 120 degrees F (49°C).
- Propane vapors are heavier than air and can accumulate in low places. If you smell gas, leave the area immediately.
- Never install or remove propane cylinder while heater is lighted, near flame, pilot lights, other ignition sources or while heater is hot to touch.
- This heater is red hot during use and can ignite flammables too close to the burner. Keep flammables at least 3 feet from sides & 2 feet from top. Keep gasoline and other flammable liquids and vapors well away from heater.
- Store the propane cylinder outdoors in a well ventilated space out of reach of children. Never store the propane cylinder in an enclosed area (house, garage, etc.). If heater is to be stored indoors, disconnect the propane cylinder for outdoor storage.

WARNING

We cannot foresee every use which may be made of our heaters.
Check with your local fire safety authority if you have questions about heater use.
Other standards govern the use of fuel gases and heat producing products for specific uses. Your local authorities can advise you about these.
If no local codes exist, follow National Fuel Gas Code, ANS Z223.1. In Canada, installation must conform to local codes. If no local codes exist, follow the current National standards of CANADA CAN/CGA-B 149.2.

DANGER

- CARBON MONOXIDE HAZARD
- This heater is a combustion appliance. All combustion appliances produce carbon monoxide (CO) during the combustion process. This product is designed to produce extremely minute, non-hazardous amounts of CO if used and maintained in accordance with all warnings and instructions. Do not block air flow into or out of the heater.
- Carbon Monoxide (CO) poisoning produces flu-like symptoms, watery eyes, headaches, dizziness, fatigue and possibly death. You can't see it and you can't smell it. It's an invisible killer. If these symptoms are present during operation of this product get fresh air immediately!
- For outdoor use only.
- Never use inside house, or other unventilated or enclosed areas.
- This heater consumes air (oxygen). Do not use in unventilated or enclosed areas to avoid endangering your life.

DANGER



CARBON MONOXIDE HAZARD
This appliance can produce carbon monoxide which has no odor. Using it in an enclosed space can kill you. Never use this appliance in an enclosed space such as a camper, tent or home.

SAFETY INFORMATION

WARNING

California Proposition 65
Combustion by-products produced when using this product contain chemicals known to the State of California to cause cancer, birth defects, and other reproductive harm.

WARNING

BURN HAZARD

- Never leave heater unattended when hot or in use.
- Keep out of reach of children.

WARNING

Certain materials or items, when stored under the heater, will be subjected to radiant heat and could be seriously damaged.

CAUTION

SERVICE SAFETY

- Keep all connections and fittings clean. Make sure propane cylinder valve outlet is clean.
- During set up, check all connections and fittings for leaks using soapy water. Never use a flame.
- Use as a heating appliance only. Never alter in any way or use with any device.

CAUTION

CAUTION indicates an imminently hazardous situation which, if not avoided, may result in minor or moderate personal injury, or property damage.

WARNING

- This product is fueled by propane gas. Propane gas is invisible, odorless, and flammable. An odorant is normally added to help detect leaks and can be described as a “rotten egg” smell. The odorant can fade over time so leaking gas is not always detectable by smell alone.
- Propane gas is heavier than air and leaking propane will sink to the lowest level possible. It can ignite by ignition sources including matches, lighters, sparks or open flames of any kind many feet away from the original leak. Use only propane gas set up for vapor withdrawal.
- Store or use propane gas in compliance with local ordinances and codes or with ANS/NFPA 58. Turn off propane when not in use.

WARNING

- Alert children and adults to the hazards of high surface temperatures. Stay away from these surfaces to avoid burning skin or igniting clothing.
- Carefully supervise young children when in the vicinity of the heater.
- Do not hang clothing or any other flammable materials from the heater, or place on or near the heater.
- Replace any guard or protective device removed for servicing the appliance prior to placing back in service.
- Installation and repair should be done by a qualified service person. The heater should be inspected before use and annually by a qualified service person. More frequent cleaning may be required as necessary. It is imperative that the control compartment, burners, and circulating air passageway of the appliance be kept clean.

PREPARATION

Before beginning assembly of product, make sure all parts are present. Compare parts with package contents list and hardware contents above. If any part is missing or damaged, do not attempt to assemble the product. Contact customer service for replacement parts.

Estimated Assembly Time: 10 minutes

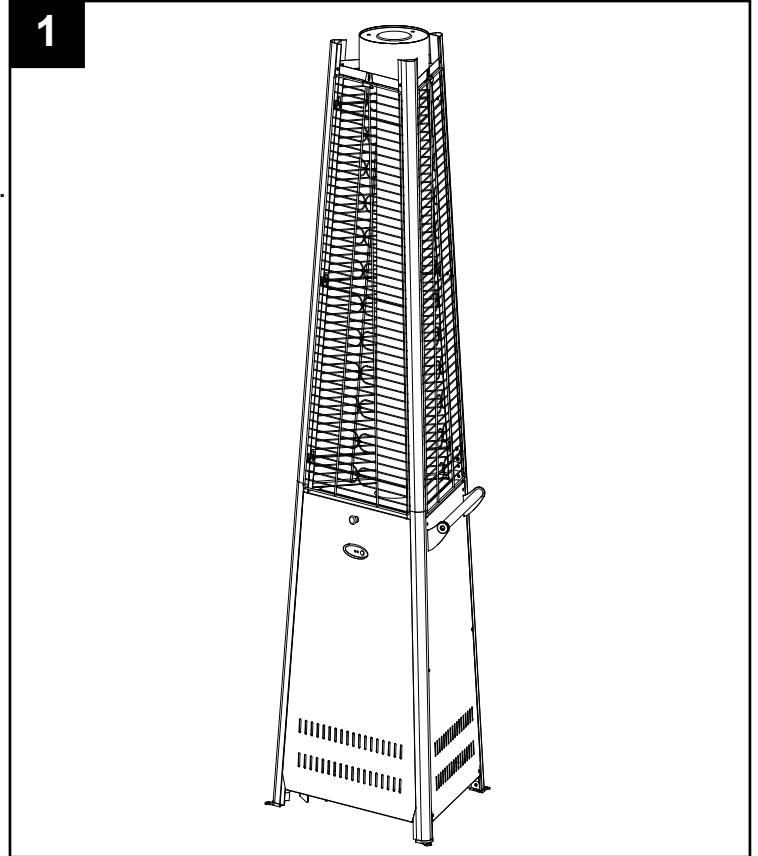
Tools Required for Assembly (not included):

Phillips screwdriver w/ medium blade. Leak Detection Solution.

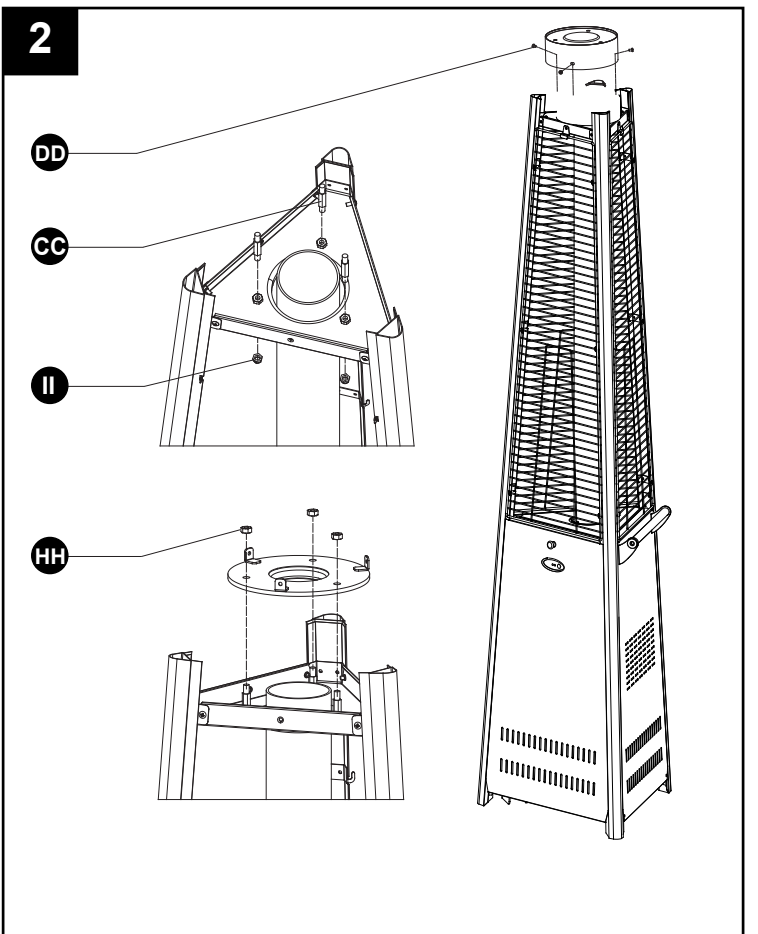
ASSEMBLY INSTRUCTIONS

1. Heater is preassembled at the factory. User needs to complete a couple of assembly procedures to make the appliance operational. Please ensure all transit protection (foam, cardboard, bubble wrap, etc) is removed. In the next few steps you will be shown how to properly remove the bubble wrap material used to protect the borosilicate glass tube located in the center of the unit.

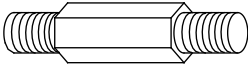
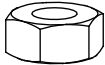
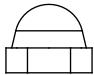
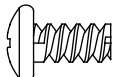
*Follow steps 2 - 11 to clean any potential soot or debris from the borosilicate glass tube in the future, if applicable.



2. Use a secured step ladder or lean the heater carefully. First, unfasten 3 pcs Screw M5X12(DD) surrounding the steel mesh from the steel mesh base. Next, unscrew the 3 pcs M8 nuts (HH) and remove the mesh base from the three studs. Place all the parts you removed in a secure location as you will need to place them back in later steps as listed below. Move to step 3.



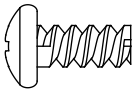

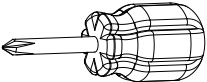
Hardware Used

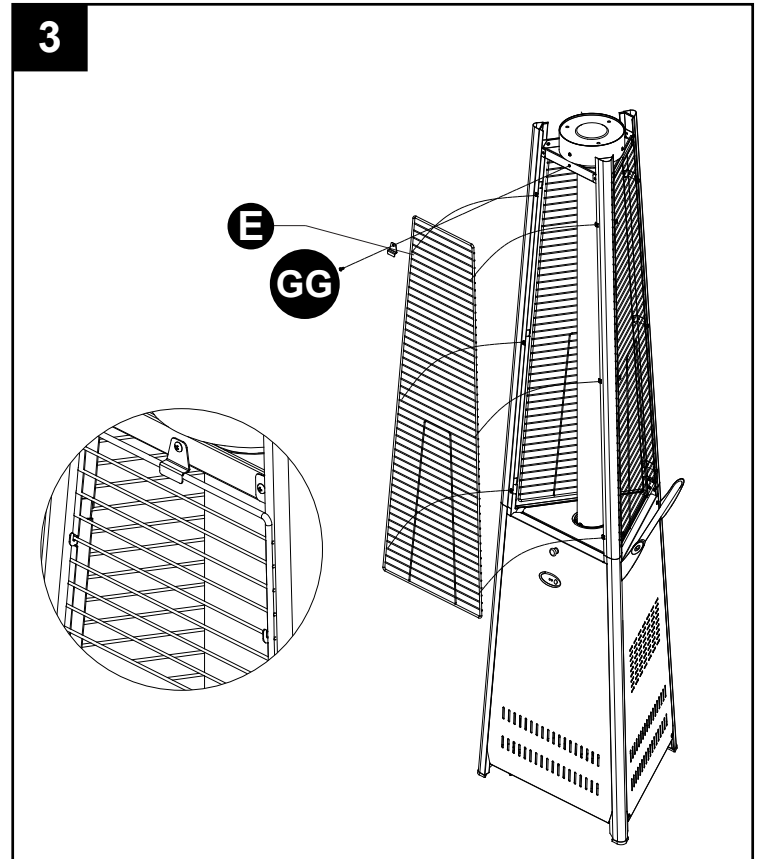
CC	Stud		x 3
HH	Nut M8		x 3
II	Cap nut M8		x 3
DD	Screw M5 X 12		x 3

ASSEMBLY INSTRUCTIONS

3. You will need to remove at least one of the protective steel guards (E) in order to safely remove the bubble rap material from the borosilicate glass tube located in the center of the unit. Unscrew 1 of the M5x12 screws and 1 of the fixing brackets (GG), then remove the protective steel guard from its upper supports slots.

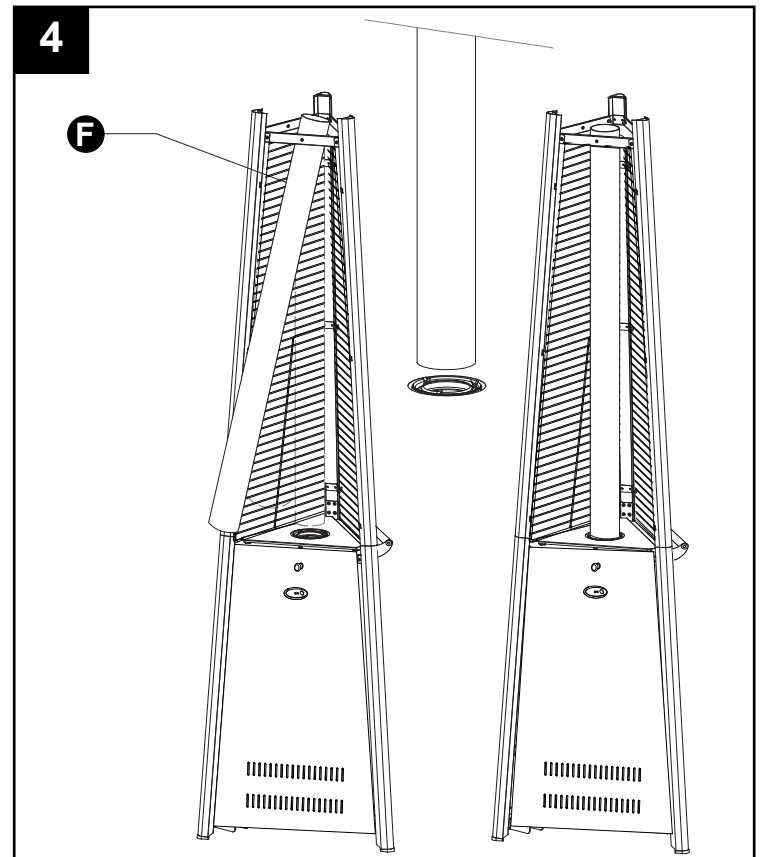
Hardware Used

- DD** Screw M5 X 12  x 3
- GG** Fixing Bracket  x 3
- PP** Philips screwdriver  x 1



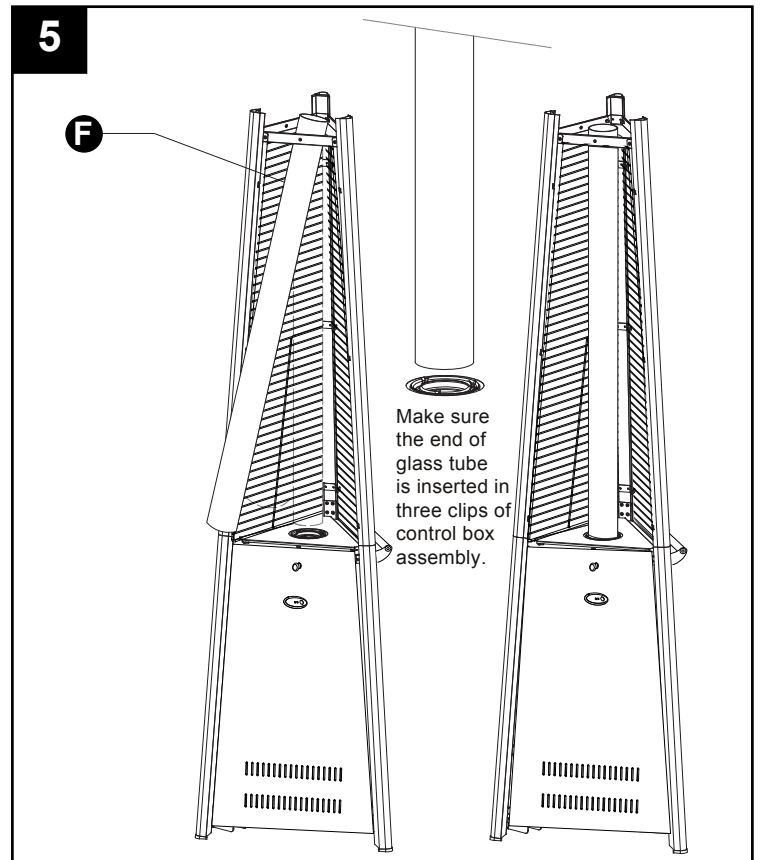
4. Carefully remove the borosilicate glass tube (F) situated between center of the top plate and the control box assembly. Simply slide the unit up and out from its position. Unwrap the bubble wrap material from the glass.

IMPORTANT: PLEASE SAFELY UNWRAP THE BUBBLE WRAP MATERIAL

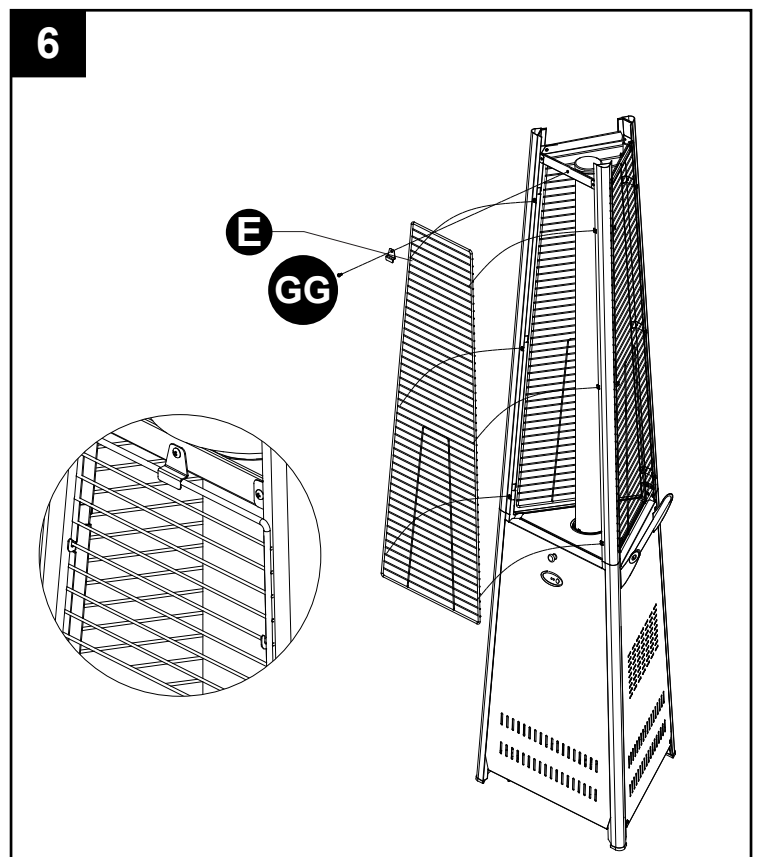


ASSEMBLY INSTRUCTIONS

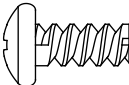
5. Now that you have properly and carefully removed all transit protection materials from the unit, you will need to place the unit back in its original proper order. We will revisit the last several steps in reverse order. First, re-install the borosilicate glass tube (F). Carefully install the borosilicate glass tube between center of the top plate and the control box assembly as illustrated. Make sure to place the lower end of the glass tube between the three metal clips located on the control box assembly.




6. Re-Install the protective steel guard (E) by hanging it on the upper support slots. Next, secure it with 1 of the M5x12 screws and 1 of the fixing brackets (GG).



Hardware Used

DD Screw M5 X 12  x 3

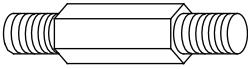
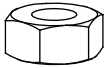
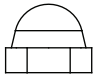
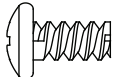
GG Fixing Bracket  x 3

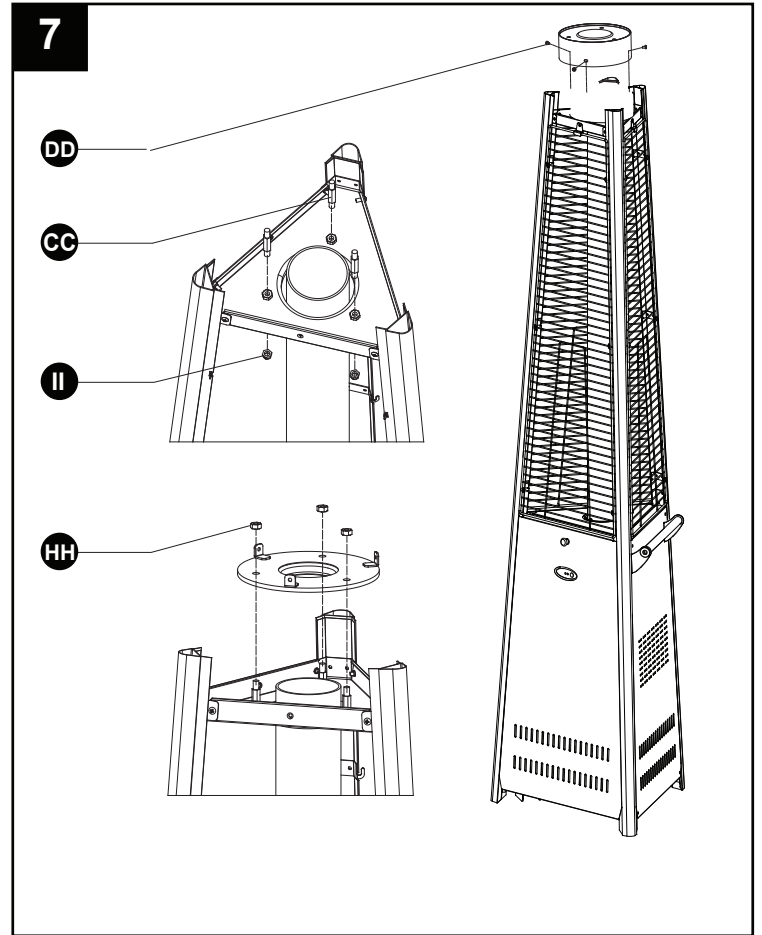
PP Philips screwdriver  x 1

ASSEMBLY INSTRUCTIONS

7. Lean the heater carefully. Install 3pcs studs (CC) on the top plate, secure them with 3pcs M8 cap nuts (II). Assemble the mesh base to the stud, secure them with 3pcs M8 nuts (HH). Secure the mesh to the mesh base with 3pcs Screw M5X12(DD).

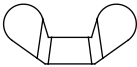
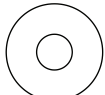
Hardware Used

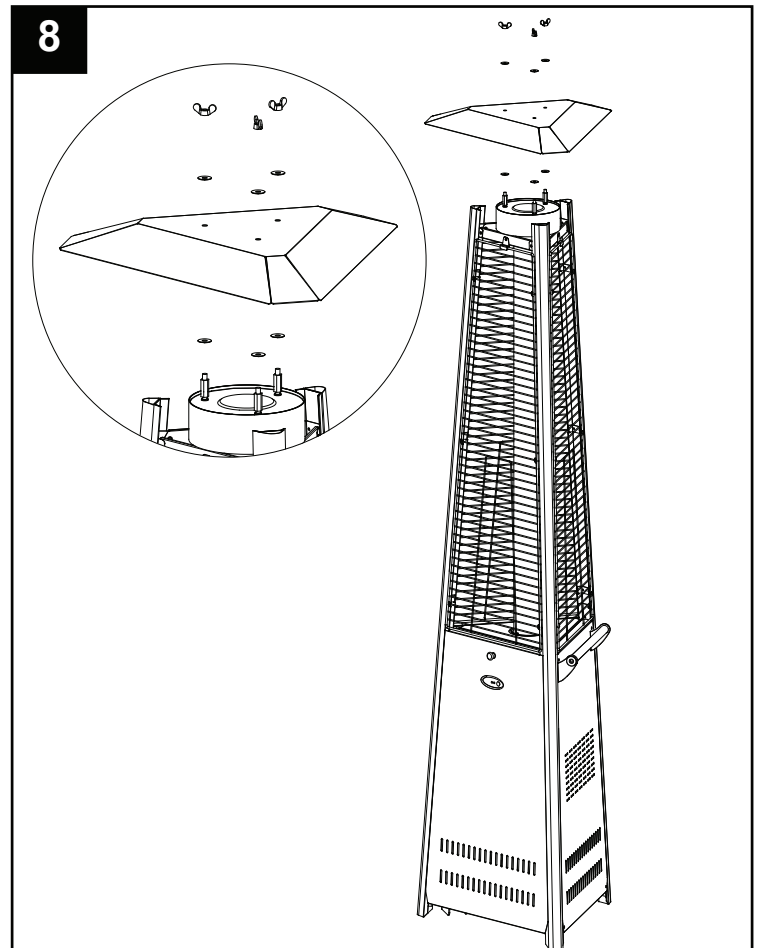
CC	Stud		x 3
HH	Nut M8		x 3
II	Cap nut M8		x 3
DD	Screw M5 X 12		x 3



8. Use a secured step ladder or lean the heater carefully and attach the 3pcs small flat washer $\Phi 8$ (BB) on top of the heater. Place a washer on each reflector stud, then install the reflector hood, and lastly fasten the reflector with another washer and wing nut (AA). Return the heater gently to upright position, if applicable.

Hardware Used

AA	Wing nut		x 3
BB	Small flat washer $\Phi 8$		x 6

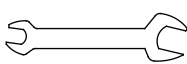


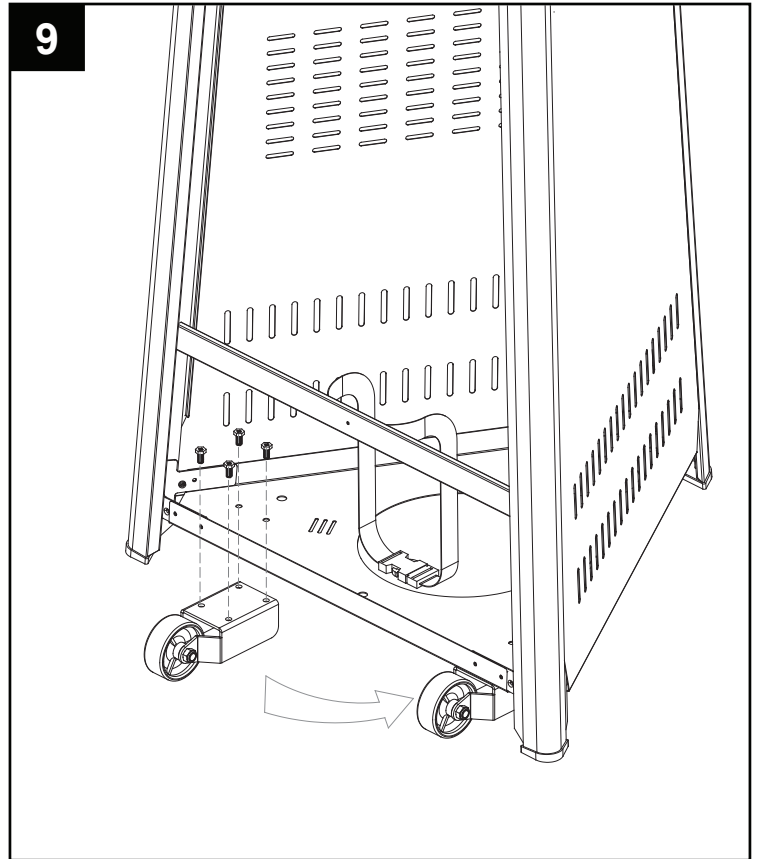
ASSEMBLY INSTRUCTIONS

9. Open the side panel, assemble the wheel assembly to the bottom plate using 8pcs M6x10 screws (CC).

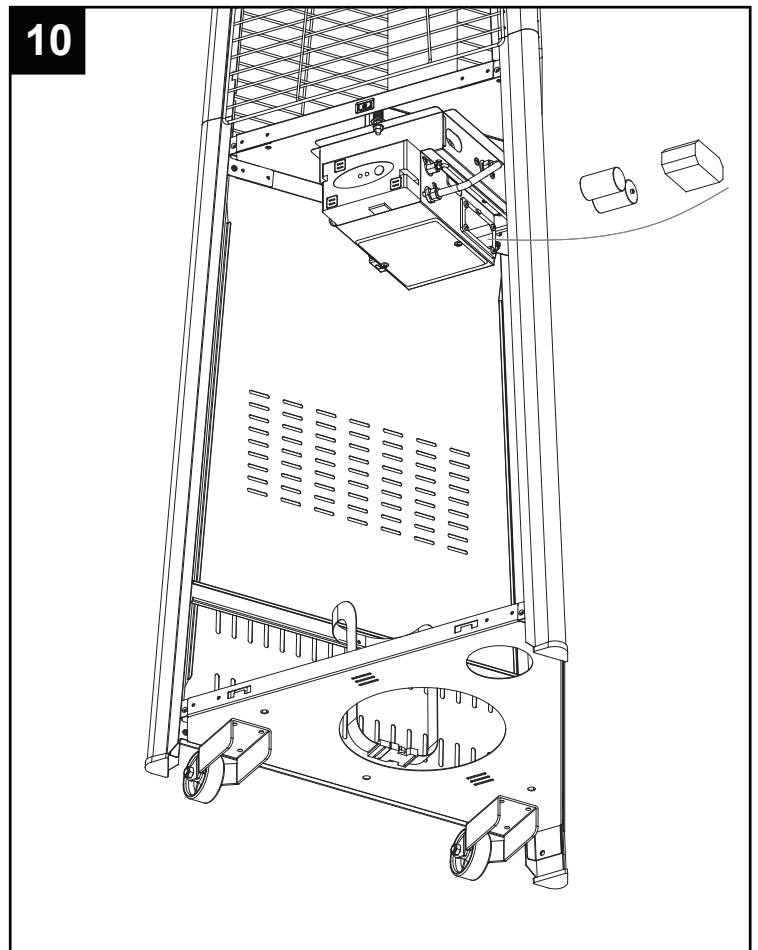
Hardware Used

CC Bolt M6 X 10  x 8

DD Wrench  x 1



10. Open the front panel, and then open the lid of the battery compartment and insert 2 batteries type D (flashlight batteries DC1.5v each) considering the correct polarity. Close the lid. Return the side panel in place.



ASSEMBLY INSTRUCTIONS

A dented, rusted or damaged propane cylinder may be hazardous and should be checked by your cylinder supplier. Never use a propane cylinder with a damaged valve connection.

The propane cylinder must be constructed and marked in accordance with the specifications for LP gas cylinders of the U.S. Department of Transportation (DOT) or the standard for cylinders, spheres and tubes for transportation of dangerous goods and commission, CAN/CSA-B339.

The cylinder must have a listed overfilling prevention device.

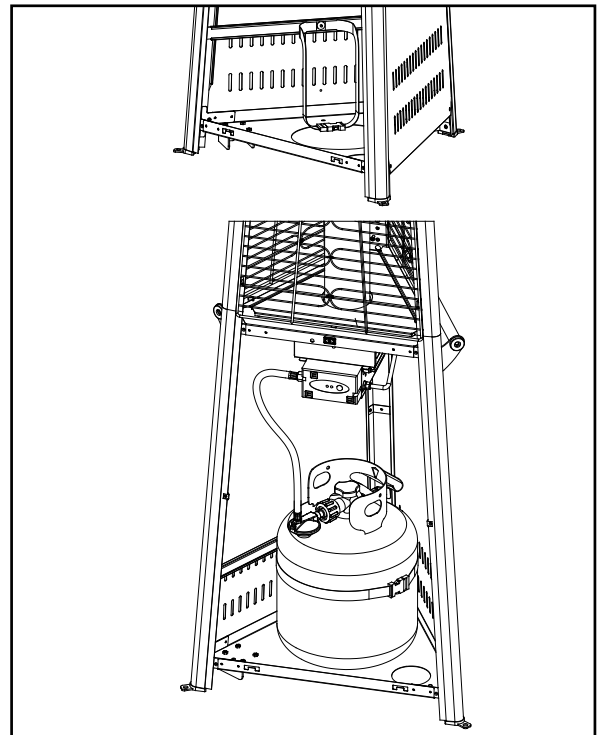
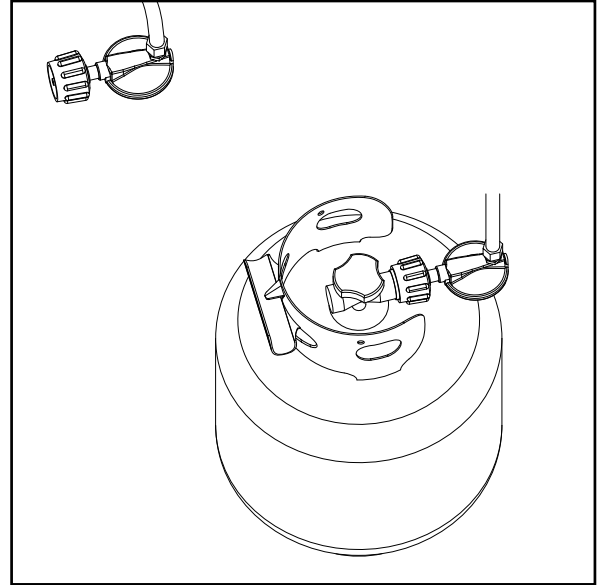
The cylinder must have a connection device compatible with the connection for the appliance.

The cylinder used must include a collar to protect the cylinder valve.

Never connect an unregulated propane cylinder to the heater.

Screw regulator onto gas hose. Do not cross-thread. Tighten securely. Attach regulator to cylinder. Complete attachment.

Install cylinder, and secure with the propane tank strap tightly.



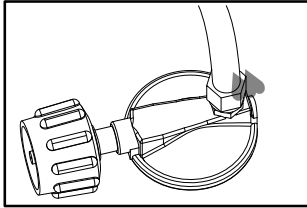
- Do not store a spare LP-gas cylinder under or near this appliance;
- Never fill the cylinder beyond 80 percent full;
- Place the dust cap on the cylinder valve outlet whenever the cylinder is not in use. Only install the type of dust cap on the cylinder valve that is provided with the cylinder valve. Other type of caps or plugs may result in leakage of propane.

OPERATION INSTRUCTIONS

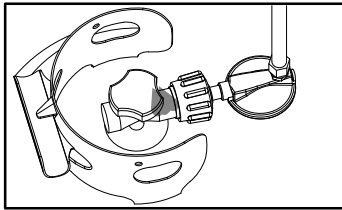
Leak Check

WARNING

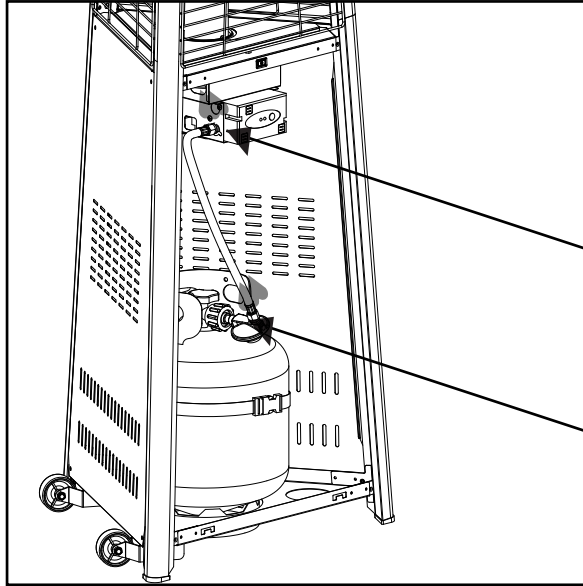
- Perform all leak tests outdoors.
- Extinguish all open flames.
- NEVER leak test when smoking.
- Do not use the heater until all connections have been leak tested and do not leak.



Hose / Regulator
connection



Regulator / Cylinder
connection



1. Make 2-3 oz. of leak check solution (one part liquid dishwashing detergent and three parts water).
2. Apply several drops of solution where hose attaches to regulator.
3. Apply several drops of solution where regulator connects to cylinder, apply the soapy solution to all hose & valve connections.
4. Make sure all patio heater and light valves are OFF.
5. Turn cylinder valve ON.

If bubbles appear at any connection, there is a leak.

1. Turn cylinder valve OFF.
2. If leak is at hose/regulator connection: tighten connection and perform another leak test. If bubbles continue appearing, the hose should be returned to the place of purchase,
3. If leak is at regulator/cylinder valve connection: disconnect, reconnect, and perform another leak check. Apply the soapy solution to all hose & valve connections. If you continue to see bubbles after several attempts, cylinder valve is defective and should be returned to cylinder's place of purchase.

If NO bubbles appear at any connection, the connections are secure.

NOTE: Whenever gas connections are loosened or removed, you must perform a complete leak test.

4. Complete installation.

OPERATION INSTRUCTIONS

DANGER

- CARBON MONOXIDE HAZARD
- For outdoor use only. Never use inside house, or other unventilated or enclosed areas. This heater consumes air (oxygen). Do not use in unventilated or enclosed areas to avoid endangering your life.

Caution: *Do not attempt to operate until you have read and understand all General Safety Information in this manual and all assembly is complete and leak checks have been performed.*

Before Turning Gas Supply ON:

1. Your heater was designed and approved for outdoor use only. Do NOT use it inside a building, garage, or any other enclosed area.
2. Make sure surrounding areas are free of combustible materials, gasoline, and other flammable vapors or liquids.
3. Ensure that there is no obstruction to air ventilation. Be sure all gas connections are tight and there are no leaks.
4. Be sure the cylinder cover is clear of debris. Be sure any component removed during assembly or servicing is replaced and fastened prior to starting.

Before Lighting:

1. Heater should be thoroughly inspected before each use, and by a qualified service person at least annually. If relighting a hot heater, always wait at least 5 minutes.
2. Inspect the hose assembly for evidence of excessive abrasion, cuts, or wear. Suspected areas should be leak tested. If the hose leaks, it must be replaced prior to operation. Only use the replacement hose assembly specified by manufacturer.

Lighting:

Note: *This heater is equipped with a pilot light that allows for safer startups and shutdowns. Pilot must be lit before main burner can be started.*

Heater can be operated by infrared remote control, or directly on the control unit.

A. OPERATION BY INFRARED REMOTE CONTROL TO TURN ON THE HEATER

1. Turn on the valve of the gas supply cylinder.
2. Hold the remote control in your hand and point it toward the control unit (angle of reception is 25° and 6 meters max.).
3. Press the POWER button for 2 seconds, release and press again to start ignition.

Note:

- If a new tank has just been connected, please allow at least one minute for the air in the gas line to purge out through the pilot hole.
- The 2 seconds delay ignition is not a flaw. It has been intentionally designed to prevent accidental ignition. Holding the POWER button for 2 seconds releases the safety lock and starts the ignition.
- For first time use, please use the controls on the heater – not the remote control. As the valve control may not have any gas supply please repeat initial steps and continue to depress starter while the valve control and gas line are purged. This may require several attempts. This is likely to occur when a unit is new or a gas bottle has changed or the unit has been idle for a long period.

OPERATION INSTRUCTIONS

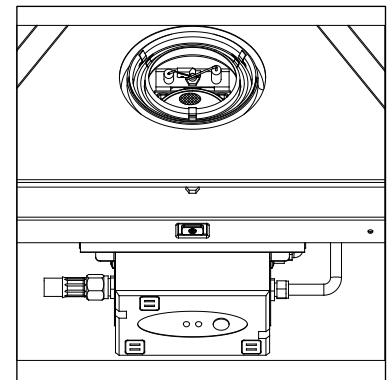
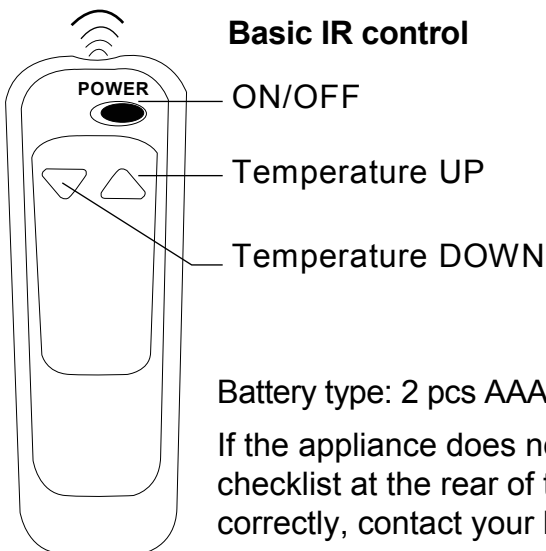
4. Press the DOWN button to switch to lower temperature setting and UP button to switch to higher temperature setting.

TO TURN OFF THE HEATER

1. Press the POWER button.
2. Turn off the valve of the gas cylinder and disconnect the cylinder.

WARNING:

1. The whole gas system, hose, regulator, pilot or burner should be inspected for leak before use.
2. Check the hose assembly for sign of extreme abrasion, cuts or wears. Leak test suspected areas. If there is evidence of excessive abrasion or wear, or if the hose is damaged or leaks, it must be replaced with an Australian certified hose and regulator assembly.
3. Avoid twisting the flexible tubes and hoses.
4. Make sure the ventilation opening of the cylinder enclosure, control compartment, burner and circulation air passageways of the heater are free and clear of debris. If debris, spider or insect nests are found, clean the holes with heavy-duty pipe cleaner or compressed air.
5. Always keep a dry chemical fire extinguisher readily available.
6. For safety, always allow a 5-minute complete shut off period before re-lighting a hot heater.
7. Avoid repeated ignition attempts if ignition doesn't start except for first time or new gas bottle starts.

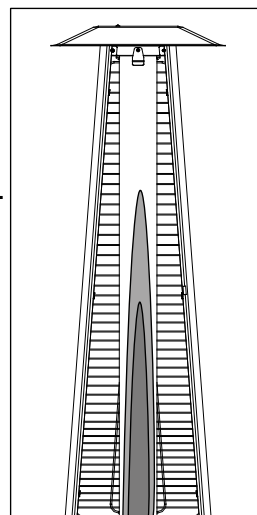


Battery type: 2 pcs AAA alkaline battery DC1.5v

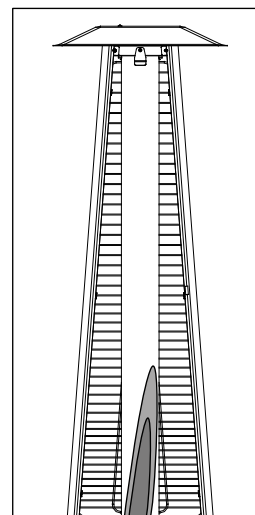
If the appliance does not operate properly, switch off gas and refer to the problems checklist at the rear of the manual. If the appliance can not be made to operate correctly, contact your local gas supplier.

Note:

In Normal condition, the height of flame is $\frac{2}{3}$ height of glass tube under Hi position. the height of flame is $\frac{1}{3}$ height of glass tube under Low position. The flame is stable and bright. No noise nor black smoke. Contrarily it is abnormal condition.



Normal



Abnormal

OPERATION INSTRUCTIONS

⚠ WARNING

FOR YOUR SAFETY

Be careful when attempting to manually ignite this heater. Holding in the control knob for more than 20 seconds before igniting the gas will cause a ball of flame upon ignition.

⚠ WARNING

FOR YOUR SAFETY

Heater will be hot after use. Handle with extreme care.

When heater is ON:

The flame should be blue with straight yellow tops. If excessive yellow flame is detected, turn off heater and consult "Troubleshooting" on page 18.

B. DIRECT OPERATION ON THE CONTROL UNIT TO TURN ON THE HEATER

1. Turn on the valve of the gas supply cylinder.
2. Press the POWER button for 2 seconds, release and press again to start ignition.
3. Press the POWER button to switch to the temperature heat setting.

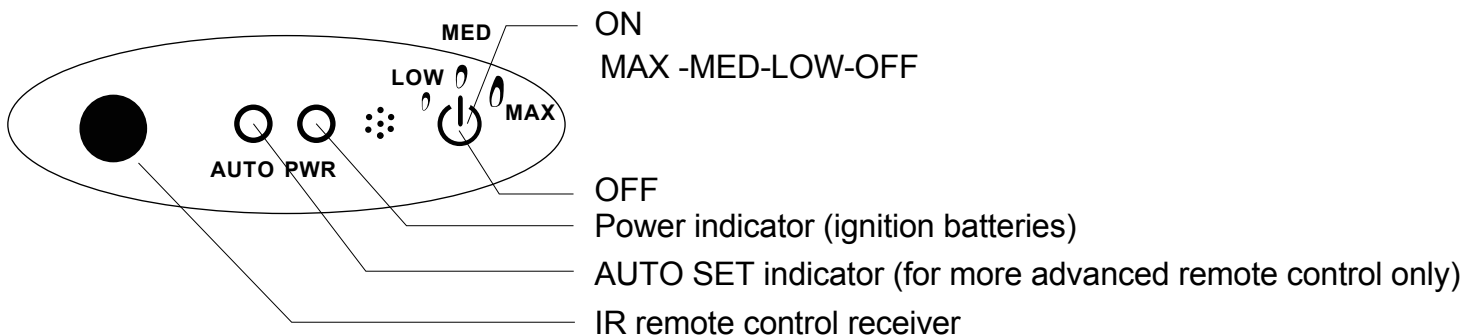
Every time the POWER button is pressed it will switch from MAX-MED-LOW-OFF.

TO TURN OFF THE HEATER

1. Press the POWER button (until it switches to OFF).
2. Turn off the valve of the gas cylinder and disconnect the cylinder.

WARNING:

1. Close the valve of the gas cylinder or the regulator after use.
2. Do not move the heater, or cover it with protective cover after it has been turned off until the temperature has cooled down.



Operation Checklist

For a safe and pleasurable heating experience, perform this check before each use.

Before Operating:

1. I am familiar with entire owner's manual and understand all precautions noted.
2. All components are properly assembled, intact and operable.
3. No alterations have been made.
4. All gas connections are secure and do not leak.
5. Wind velocity is below 10 mph.
6. Unit will operate at reduced efficiency below 40°F.
7. Heater is outdoors (outside any enclosure).
8. There is adequate fresh air ventilation.

OPERATION INSTRUCTIONS

9. Heater is away from gasoline or other flammable liquids or vapors.
10. Heater is away from windows, air intake openings, sprinklers and other water sources.
11. Heater is at least 24 in. on top and at least 36 in. on sides from combustible materials.
12. Heater is on a hard and level surface.
13. There are no signs of spider or insect nests.
14. All burner passages are clear.
15. All air circulation passages are clear.
16. *Children and adults should be alerted to the hazards of high surface temperatures and should stay away to avoid burns or clothing ignition.*
17. *Young children should be carefully supervised when they are in the area of the heater.*
18. *Clothing or other protective material should not be hung from the heater, or placed on or near the heater.*
19. *Any guard or other protective device removed for servicing the heater must be replaced prior to operating the heater.*
20. *Installation and repair should be done by a qualified service person. The heater should be inspected before use and at least annually by a qualified service person.*
21. *More frequent cleaning may be required as necessary. It is imperative that control compartment, burner and circulating air passageways of the heater be kept clean.*

After Operation

1. Gas control is in OFF position.
2. Gas Tank valve is OFF.
3. Disconnect Gas cylinder.

CARE AND MAINTENANCE

WARNING

FOR YOUR SAFETY:

- Do NOT touch or move heater for at least 45 minutes after use.
- Reflector is hot to the touch.
- Allow reflector to cool before touching.

To enjoy years of outstanding performance from your heater, make sure you perform the following maintenance activities on a regular basis:

Keep exterior surfaces clean.

1. Use warm soapy water for cleaning. Never use flammable or corrosive cleaning agents.
2. While cleaning your unit, be sure to keep the area around the burner and pilot assembly dry at all times. Do not submerge the control valve assembly. If the gas control is submerged in water, do NOT use it. It must be replaced.
 - a. Keep the appliance area clear and free from combustible materials, gasoline and other flammable vapors and liquids.
 - b. Do not obstruct the flow of combustion and ventilation air.
 - c. Keep the ventilation opening(s) of the cylinder enclosure free and clear from debris.
3. Air flow must be unobstructed. Keep controls, burner, and circulating air passageways clean. Signs of possible blockage include:

CARE AND MAINTENANCE

- Gas odor with extreme yellow tipping of flame.
- Heater does NOT reach the desired temperature.
- Heater glow is excessively uneven.
- Heater makes popping noises.
- Spiders and insects can nest in burner or orifices. This dangerous condition can damage heater and render it unsafe for use. Clean burner holes by using a heavy-duty pipe cleaner. Compressed air may help clear away smaller particles.
- Carbon deposits may create a fire hazard. Disassembly the reflector, unscrew the reflector spacer, take off the screen, take down one side of protective guards. Then take the glass tube from the heater and wash and clear. After that assembly the glass tube and the rest of parts.



Note: *In a salt-air environment (such as near an ocean), corrosion occurs more quickly than normal. Frequently check for corroded areas and repair them promptly.*

TIP:

Use high-quality automobile wax to help maintain the appearance of your heater. Apply to exterior surfaces from the pole down. Do not apply to emitter screen or domes.

Storage

Between uses:

- Turn Control Knob OFF.
- Disconnect LP cylinder.
- Store heater upright in an area sheltered from direct contact with inclement weather (such as rain, sleet, hail, snow, dust and debris).
- If desired, cover heater to protect exterior surfaces and to help prevent build-up in air passages.

Note: *Wait until heater is cool before covering.*

During periods of extended inactivity or when transporting:

- Turn Control Knob OFF.
- Disconnect LP cylinder and move to a secure, well-ventilated location outdoors.
- Store heater upright in an area sheltered from direct contact with inclement weather (such as rain, sleet, hail, snow, dust and debris).
- If desired, cover heater to protect exterior surfaces and to help prevent build-up in air passages. Never leave LP cylinder exposed to direct sunlight or excessive heat.

Note: *Wait until heater is cool before covering.*

Service

Only a qualified service person should repair gas passages and associated components.

Caution: *Always allow heater to cool before attempting service.*

TROUBLESHOOTING

PROBLEM	POSSIBLE CAUSE	CORRECTIVE ACTION
Pilot won't light Note: Heater operates at reduced efficiency below 40°F (5°C)	Cylinder valve is closed	Open valve
	Blockage in orifice or pilot tube	Clean or replace orifice or pilot tube
	Air in gas line	Open gas line and bleed it (pressing control knob in) for no more than 1 - 2 minutes or until you smell gas
	Low gas pressure with cylinder valve fully open	Turn cylinder valve OFF and replace cylinder
	Igniter fails	Use match to light pilot; obtain new igniter and replace
Pilot won't stay lit	Dirt built up around pilot	Clean dirt from around pilot
	Connection between gas valve and pilot assembly is loose	Tighten connection and perform leak check
	Thermocouple is not operating correctly	Replace thermocouple
	Anti tilt switch could be faulty, or wires not connected properly	Replace anti tilt switch/Connect wire properly
Burner won't light	Propane cylinder is frosted over	Wait until the propane cylinder warms up and becomes unfrosted
	Blockage in orifice	Clear blockage
	Control knob is not in ON position	Turn control knob to ON
Burner flame is low	Gas pressure is low	Turn cylinder valve OFF and replace cylinder
	Outdoor temperature is less than 40°F and tank is less than 1/4 full	Use a full cylinder
	Control knob fully ON	Check burner and orifices for blockage
Carbon build-up	Dirt or film on reflector and burner screen	Clean reflector and burner screen
Thick black smoke	Blockage in burner	Remove blockage and clean burner inside and outside
Gas odour with extreme yellow tipping of flame.	Burner tilt	Adjust the position of control box assembly
	Spiders and insects	Clean burner and orifices
Heater glow is excessively uneven.	Bad regulator	Change the regulator
	Spiders and insects	Clean burner and orifices
Heater makes popping noises.	Blockage in orifice	Clean burner and orifices
	Spiders and insects	
Heater won't work and the POWER indicator won't light when heater is started	Ignition batteries low or faulty. The POWER button has not been pressed for 2 seconds Remote control faulty or batteries low. Cables faulty or loosen.	Replace batteries. Press POWER button for 2 seconds, release and press again to start ignition. Replace remote control or batteries. Repair or replace.

TEN -YEAR LIMITED WARRANTY

The appliance has been manufactured under the highest standards of quality and workmanship. We warrant to the original consumer purchaser that all aspects of this product will be free of defects in material and workmanship for ten(10) year from the date of purchase. A replacement for any defective part will be supplied free of charge for installation by the consumer. Defects or damage caused by the use of other than genuine parts are not covered by this warranty. This warranty shall be effective from the date of purchase as shown in the purchaser's receipt.

This warranty is valid for the original consumer purchaser only and excludes industrial, commercial or business use of the product, product damage due to shipment or failure which results from alteration, product abuse, or product misuse, whether performed by a contractor, service company, or consumer. We will not be responsible for labor charges and/or damage incurred in installation, repair or replacement, nor for incidental or consequential damage.

When You Receive Your Product:

If Your Product is..

- Damaged
- Requires Technical Support
- Requires Parts
- Or If You Have A Sales Question Or You Would Like To Offer Product Feedback

Please contact the manufacturer:

LAVA HEAT ITALIA

888.779.5282 or

CS@LAVAHEAT.COM

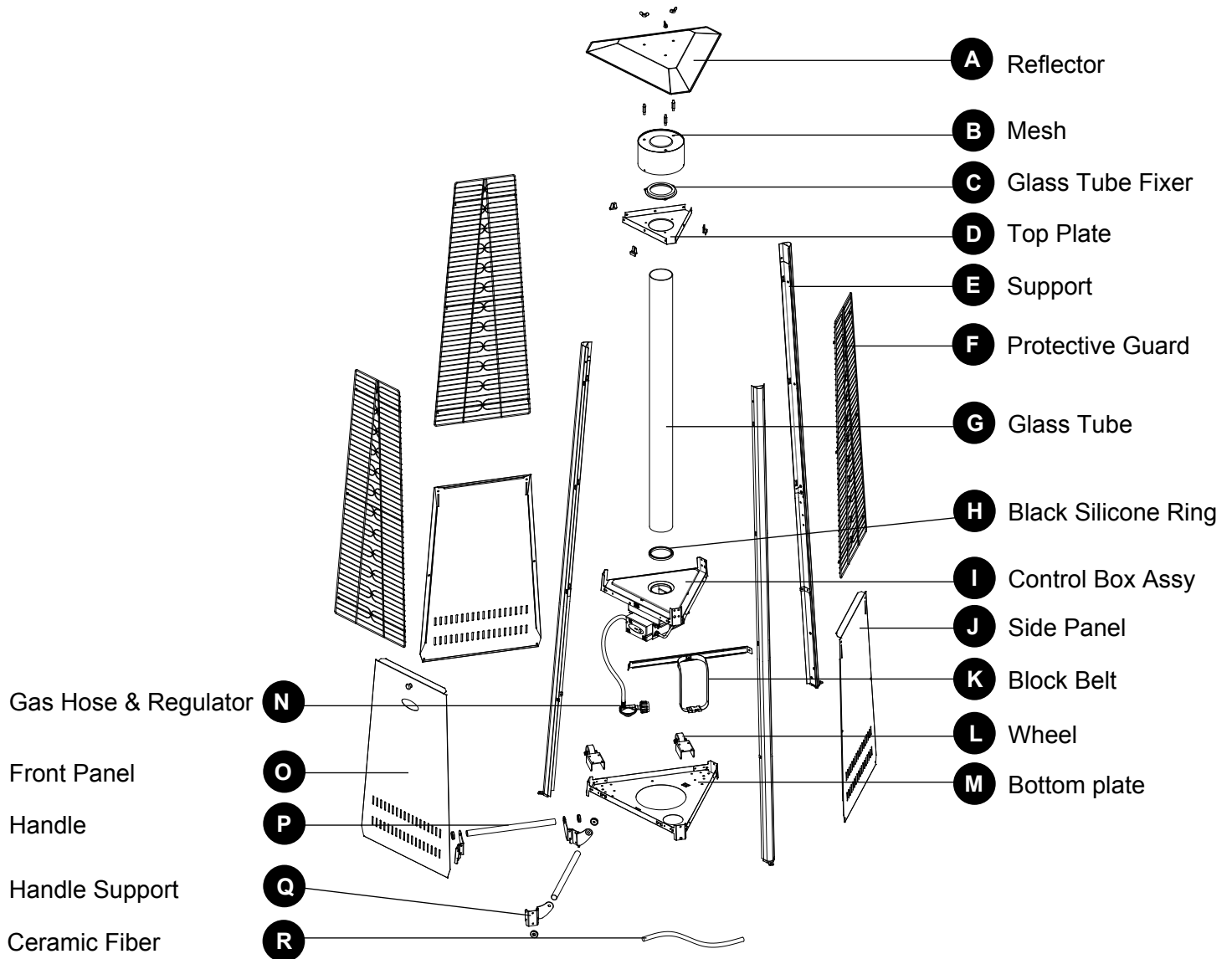
DO NOT RETURN PRODUCT TO RETAILER!

LAVA HEAT ITALIA

Toll free No.: 1.888.779.LAVA 1.888.779.5282

Addr.: 5999 Malburg Way, Vernon, CA, 90058

REPLACEMENT PARTS LIST



PART	DESCRIPTION	QUANTITY
A	Reflector	1
B	Mesh	1
C	Glass Tube Fixer	1
D	Top Plate	1
E	Support	1
F	Protective Guard	3
G	Glass Tube	1
H	Black Silicone Ring	1
I	Control Box Assy	1
J	Side Panel	1
K	Block Belt	1
L	Wheel	2

PART	DESCRIPTION	QUANTITY
M	Bottom plate	1
N	Gas Hose & Regulator	1
O	Front Panel	2
P	Handle	2
Q	Handle Support	4
R	Ceramic Fiber	1

Dear Valued Lava Heat Italia Customer,

Thank you for purchasing a Lava Heat Italia product!

Congratulations and welcome to the Lava Heat Italia family.

Our mission is to design and construct beautifully engineered, high quality products for all to use and enjoy for years to come.

Lava Heat was originally founded by lead designer and chief engineer, Mr. JR Zioni in Modena, Italy in 1997. Today Lava Heat Italia has expanded to the USA and offers well over 100 innovative heating, cooling and home appliance products worldwide. We encourage you to visit our website; www.LavaHeat.com to get a detailed view of our most up to date list of cutting-edge products.

We appreciate your business.

Sincerely,

J. Zioni.



MANUFACTURED BY:



LAVA HEAT ITALIA

T. 888.779.LAVA T. 888.779.5282

VERNON, CA 90058

WWW.LAVAHEAT.COM